

INTERROLL DRUM MOTOR 80S DC

Compact premium drive for small light-duty conveyors

Product Description

Because of its strength, reliability and zero maintenance, this drum motor is perfect for supermarket applications.

- ✓ Small light-duty conveyors
- ✓ Bottle recycling
- ✓ Brush type 24 V DC
- ✓ Techno-polymer planetary gearbox
- ✓ Low noise
- ✓ Lightweight
- ✓ Supermarket checkout conveyors
- ✓ Maintenance-free
- ✓ Lifetime lubricated
- ✓ Reversible

Technical Data

Motor data	
Motor type	Brush type 24 V DC
Insulation class of motor windings	Class B, IEC 34 (VDE 0530)
Voltage	24 V DC
Internal shaft sealing system	Double-lipped, NBR
External shaft sealing system	Deflection seal, NBR
Protection rate	IP64
Ambient temperature, 1-phase motor	+10 to +40 °C
Dimensions	
Shell length SL	285 to 602 mm

Order Information

Please refer to fold-out page at the end of the catalogue.

Material Versions

Component	Version	Material	
		Aluminium	Mild steel
Shell	Crowned		✓
	Cylindrical		✓
End housing	Standard	✓	
Shaft cap	Standard	✓	

Options

- Lagging for friction drive belts
- Sprockets for plastic modular belts
- Backstops
- Balancing
- Low temperature grease
- UL/cUL safety certifications
- Non-horizontal mounting (more than ± 5°)

Note: Please refer to the drum motor catalogue for detailed information.

Accessories

- Anti-vibration brackets, see p 44
- Idler pulleys, see p 46
- Conveyor rollers, see p 48

Product Range

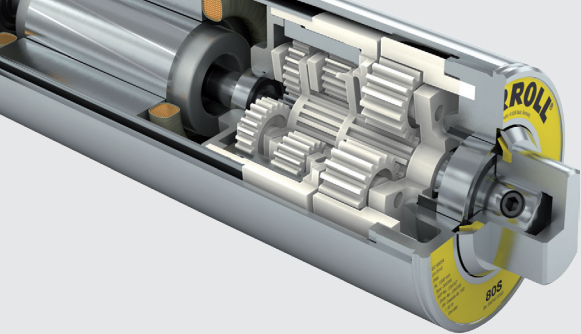
The following tables give an overview of the possible motor versions. Choosing versions without exclamation mark will ensure the lowest cost and fastest delivery. When ordering, please specify the version in accordance with the configurator on the fold-out page.

Mechanical data for 1-phase motors

P_N kW	gs	i	v m/s	n_A min ⁻¹	M_A Nm	F_N N	TE N	Min. start weight Kg	SL_{min} mm
0.044	3	115.2	0.12	28	12.6	315	2,000	100	285
		96.0	0.15	35	10.5	263	2,000	80	285
		78.5	0.18	42	8.6	215	2,000	67	285
		52.9	0.27	63	5.8	175	2,000	52	285
		71.6	0.20	47	7.8	145	2,000	44	285
		63.5	0.23	54	7.0	195	2,000	60	285
		43.3	0.33	77	4.7	118	2,000	36	285
		48.8	0.30	70	5.4	135	2,000	40	285
		19.2	0.76	178	1.6	40	1,500	16	285
		16.0	0.90	211	1.3	33	1,500	13	285
		13.1	1.10	258	1.1	28	1,500	11	285

P_N	Rated power
gs	Gear stages
i	Gear ratio
v	Rated velocity of the shell
n_A	Rated revolutions of the shell
M_A	Rated torque of drum motor
F_N	Rated belt pull of drum motor
TE	Max. belt tension
SL_{min}	Min. shell length

Motor versions



INTERROLL DRUM MOTOR 80S DC

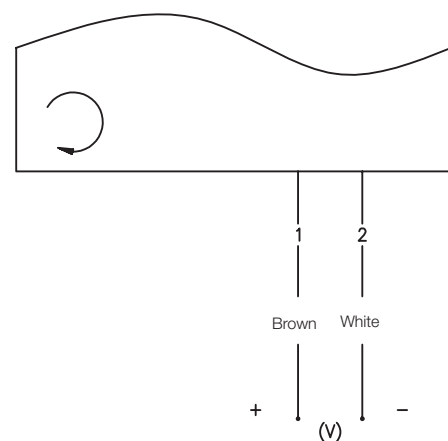
Compact premium drive for small light-duty conveyors

Drum Motors
80S DC

Cable Specifications

- 2 x 1.5 mm²
- Halogen-free
- Ø Cable: 7 mm
- Length: Minimum 1.1 m (Other lengths available on request)
- Available with common connectors

Connection Diagrams



Note: For CCW rotation interchange brown (1) and white (2).

Dimensions

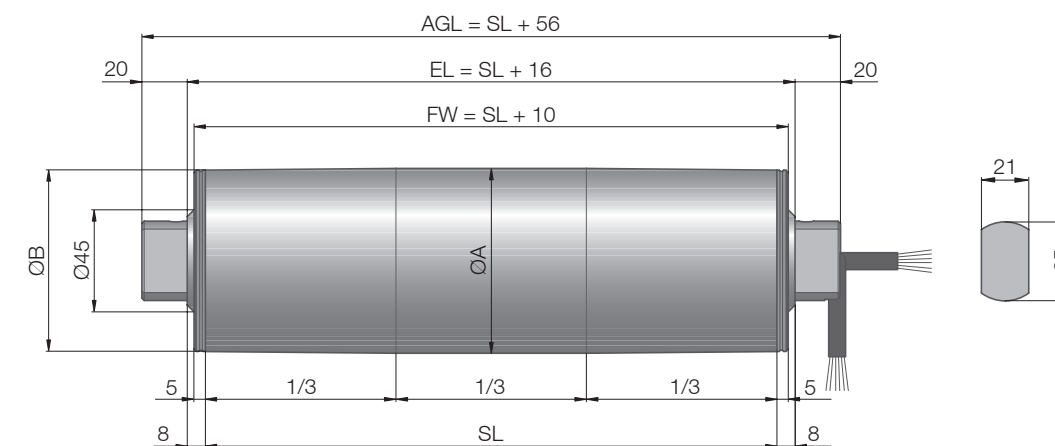


Fig.: Drum motor with straight connector

Type	Ø A mm	Ø B mm
80S DC crowned shell	81.5	80.0
80S DC cylindrical shell	80.5	80.5

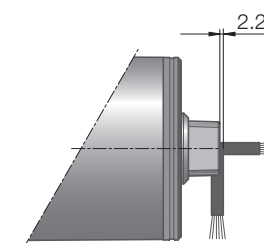


Fig.: Shaft cap

The drum motor's weight depends on its length.

Shell length SL in mm	285	Weight increases by 0.35 kg in 50 mm increments	602
Average weight in kg	4.1		6.3

Standard
dimensions

Connector
dimensions

Standard length
and weight